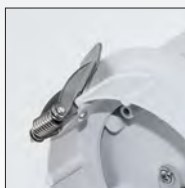




Outras Informações | Other Informations | Autres renseignements | Otras informaciones



Produtos Relacionados | Related Products | Produits Connexes | Productos Relacionados

VERSATIS-RD
P. 99



VERSATIS-P
P. 123



VERSATIS-S
P. 101



VERSATIS-SP
P. 125



VERSATIS-T
P. 55



VERSATIS-SQ
P. 109



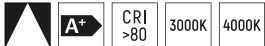
VERSATIS-RS

20W **1650Lm**
1700Lm



UGR<16

Especificações | Specifications | Spécifications | Especificaciones



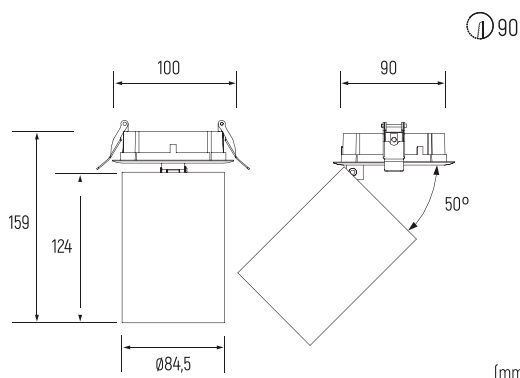
Standards

EN 60598-1
EN 60598-2-2
EN 62471
EN 62493
EN 55015
EN 61547
EN 61000-3-2
EN 61000-3-3

Opcional | Optional | Optionnel | Opcional



Dimensões | Dimensions | Dimensiones | Dimensiones



VERSATIS-RS

W	W	Code	LED 20W	Color	Beam	Lm
		28307501000	LED 20W	3000K	15°	1650Lm
		28307501055	LED 20W	4000K	15°	1700Lm
		28307501100	LED 20W	3000K	25°	1650Lm
		28307501155	LED 20W	4000K	25°	1700Lm
		28307501200	LED 20W	3000K	40°	1650Lm
		28307501233	LED 20W	4000K	40°	1700Lm

W	K	Code	LED 20W	Color	Beam	Lm
		28307501011	LED 20W	3000K	15°	1650Lm
		28307501066	LED 20W	4000K	15°	1700Lm
		28307501111	LED 20W	3000K	25°	1650Lm
		28307501166	LED 20W	4000K	25°	1700Lm
		28307500003-001	LED 20W	3000K	40°	1650Lm
		28307500003-002	LED 20W	4000K	40°	1700Lm

W	GD	Code	LED 20W	Color	Beam	Lm
		28307501022	LED 20W	3000K	15°	1650Lm
		28307501077	LED 20W	4000K	15°	1700Lm
		28307501122	LED 20W	3000K	25°	1650Lm
		28307501177	LED 20W	4000K	25°	1700Lm
		28307501211	LED 20W	3000K	40°	1650Lm
		28307501244	LED 20W	4000K	40°	1700Lm



K	K	Code	LED 20W	Color	Beam	Lm
		28307501033	LED 20W	3000K	15°	1650Lm
		28307501088	LED 20W	4000K	15°	1700Lm
		28307501133	LED 20W	3000K	25°	1650Lm
		28307501188	LED 20W	4000K	25°	1700Lm
		28307500004-001	LED 20W	3000K	40°	1650Lm
		28307500004-002	LED 20W	4000K	40°	1700Lm

K	GD	Code	LED 20W	Color	Beam	Lm
		28307501044	LED 20W	3000K	15°	1650Lm
		28307501099	LED 20W	4000K	15°	1700Lm
		28307501144	LED 20W	3000K	25°	1650Lm
		28307501199	LED 20W	4000K	25°	1700Lm
		28307501222	LED 20W	3000K	40°	1650Lm
		28307501255	LED 20W	4000K	40°	1700Lm