



20W CREE
LED chips inside

30W PHILIPS
LED chips inside

**LED
ENGINE**

PHILIPS
DRIVER
INCLUDED

HAGO 111

20W 2000Lm
30W 3000Lm

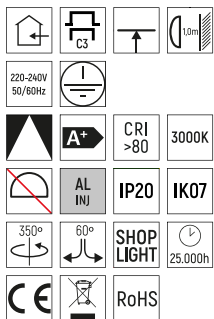


LED
ENGINE



UGR<19

Especificações | Specifications | Spécifications | Especificaciones



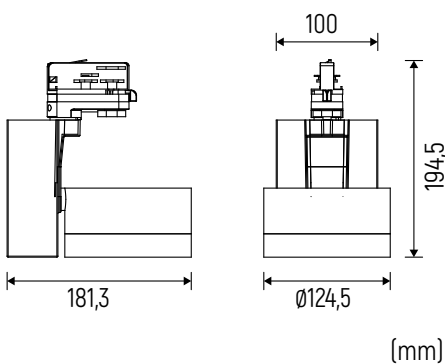
Standards

EN 60598-1
EN 60598-2-1
EN 62471
EN 62493
EN 55015
EN 61547
EN 61000-3-2
EN 61000-3-3

Opcional | Optional | Optionnel | Opcional



Dimensões | Dimensions | Dimensiones | Dimensiones



HAGO 111



W	Part Number	Specifications
	2780750026-851	LED 30W 3000K 38° 3000Lm
	2780750026-850	LED 30W 4000K 38° 3000Lm
	2780750026-853	LED 20W 3000K 38° 2000Lm
	2780750026-852	LED 20W 4000K 38° 2000Lm
	2780750026	AR111 SCOB / AR111 G53 15W



K	Part Number	Specifications
	2780750027-851	LED 30W 3000K 38° 3000Lm
	2780750027-850	LED 30W 4000K 38° 3000Lm
	2780750027-853	LED 20W 3000K 38° 2000Lm
	2780750027-852	LED 20W 4000K 38° 2000Lm
	2780750027	AR111 SCOB / AR111 G53 15W

Accessórios | Accessories | Accessoires | Accesorios



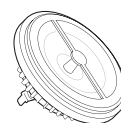
Monopoint
2750240001



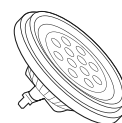
Monopoint
2750240002

LED
COMPATIBLE

Compatível com | Compatible with | Compatible avec | Compatible con



AR 111 SCOB G53 LED | 12V



AR 111 G53 LED | 12V

Driver | Driver | Convertisseur | Driver



PHILIPS CertaDrive 20W 0,5A | 34W 0,8A
INPUT: 220-240V 50/60Hz