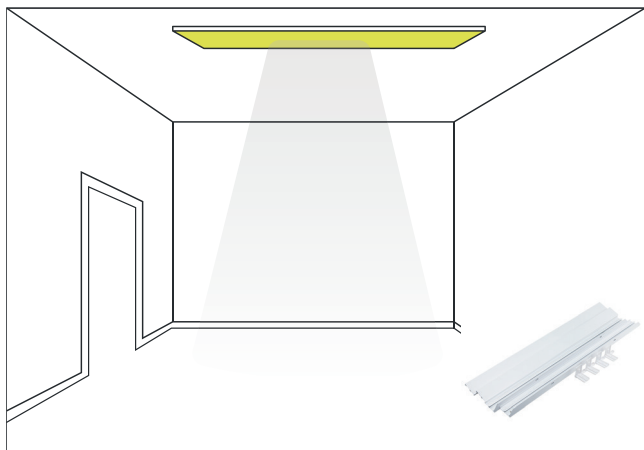
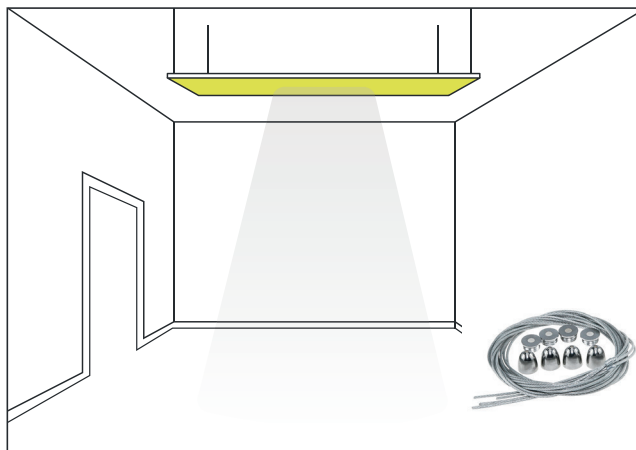


Versão saliente | Protruding version | Version saillante | Versión saliente



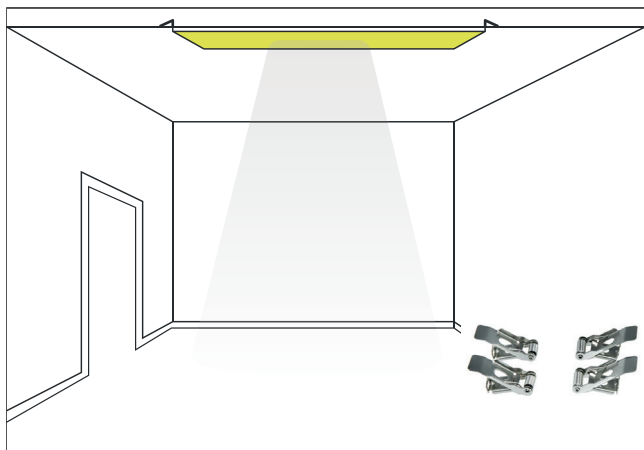
Moldura: 2761000001 (600x600mm), 2761000002 (1200x300mm), 2761000007 (600x300mm)
 Frame: 2761000001 (600x600mm), 2761000002 (1200x300mm), 2761000007 (600x300mm)
 Cadre: 2761000001 (600x600mm), 2761000002 (1200x300mm), 2761000007 (600x300mm)
 Marco: 2761000001 (600x600mm), 2761000002 (1200x300mm), 2761000007 (600x300mm)

Versão suspensão | Pendant version | Version suspendue | Versión suspensión



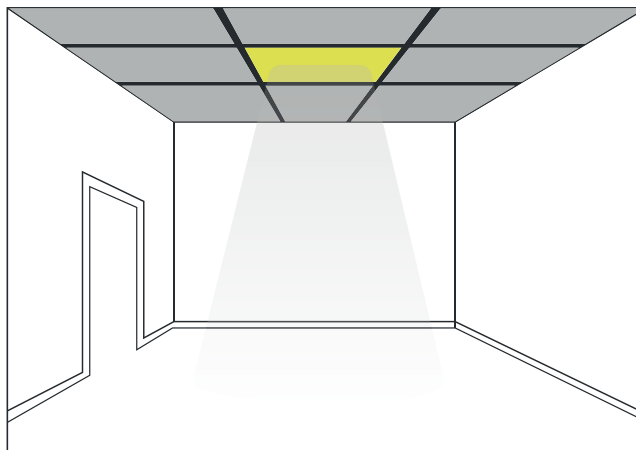
Cabo suspensão: 2761000005
 Suspension cable : 2761000005
 Câble de suspension: 2761000005
 Cable suspensión: 2761000005

Encastrar com molas | Recessing with springs | Encastrer avec des ressorts | Empotrar con muelles

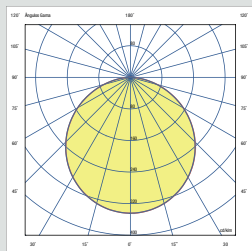


Molas: 2761000003
 Springs: 2761000003
 Ressorts: 2761000003
 Muelles: 2761000003

Versão standard | Standard version | Version standard | Versión estándar

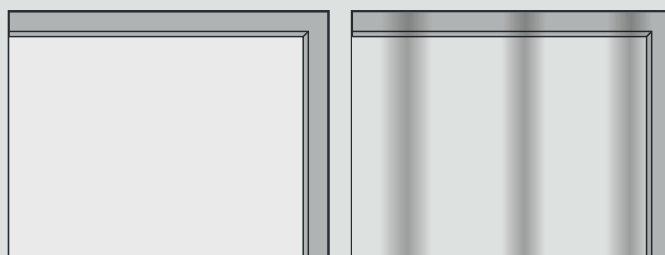


Fotometria | Photometry | Photométrie | Fotometría



Galaxy LED 35W 3500lm 120°

FLICKER FREE

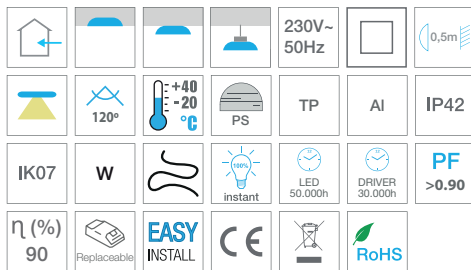


GALAXY LED



LED

Especificações | Specifications | Spécifications | Especificaciones



Especificações LED | LED specifications | Spécifications de la LED | Especificaciones del LED



Opcional | Optional | Optionnel | Opcional



Outras Informações | Other information | Autres informations | Información adicional



Cabo segurança: 2761000008
 Security cable: 2761000008
 Câble de sécurité: 2761000008
 Cable de seguridad: 2761000008

Kel pag. 125

COD	WATT (W)	LUMEN (lm)	CxLxA (mm)	K
2760750105	35	3500	595x595x10	3000
2760750107	35	3500	595x595x10	4000
2760750112	35	3500	595x595x10	6500
2760750006N	40	3200	1195x295x10	3000
2760750108	35	3500	1195x295x10	4000
2760750113	35	3500	1195x295x10	6500
2760750035N	20	1600	295x595x10	3000
2760750036N	20	1600	295x595x10	4000
2760750037N	20	1600	295x595x10	6500

Dimensões | Dimensions | Dimensions | Dimensiones

